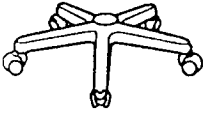

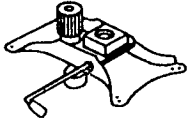



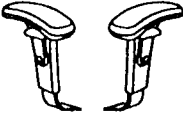



BOSS Office Products

www.bosschair.com

Assembly Instructions in English
(Instrucciones en español esta atras)

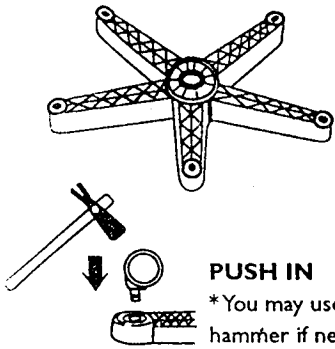
| | | | |
|---|--|---|--|
|  <p>Five Star Nylon Base w/ Casters (x1)</p> |  <p>Back Cushion (x1)</p> |  <p>Control Mechanism (x1)</p> |  <p>Screws for Back Tube (x4) & control mechanism (x4)</p> |
|  <p>Pneumatic Lifter w/cover (x1)</p> |  <p>Seat Cushion (x1)</p> |  <p>Set of Armrests (x2)</p> |  <p>Screws for Armrest (x6)</p> |

Model No:
B580

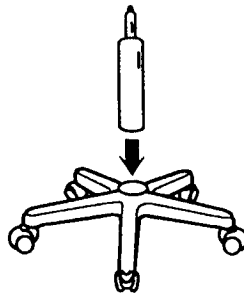


Please unscrew all screws from cushion before assembly

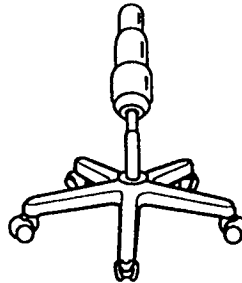
STEP 1



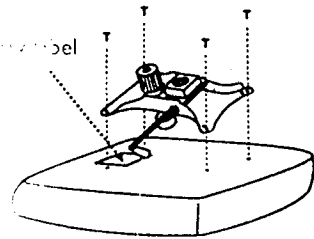
STEP 2



STEP 3

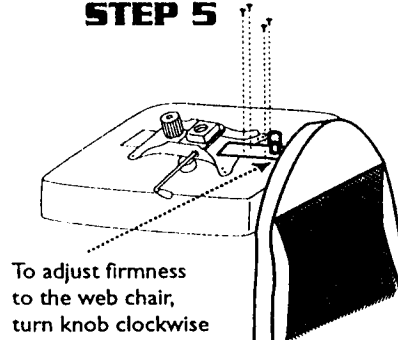


STEP 4

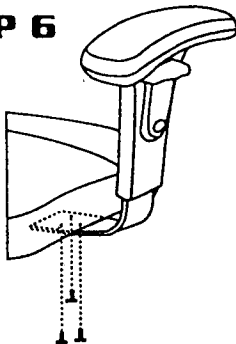


* When sitting on the chair,
the control lever **MUST** be on
your right hand side beneath
the seat. It will not work if the
lever is on your left hand side.

STEP 5

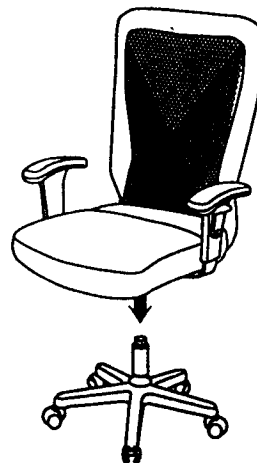


STEP 6



STEP 7

* Make sure you firmly
connect the seat into
the pneumatic lifter by
using your body
weight to bounce on
the seat.



OPERATING INSTRUCTIONS FOR SEAT HEIGHT ADJUSTMENT:

To lower the seat height, sit
on the chair while pulling the
lever upwards.

To raise the seat height, remove
your body weight from the seat
while pulling the same lever
upwards.

To lock your chair in the upright
position, push the lever beneath
the seat inwards towards the
center of the chair.

To unlock the upright lock,
pull the same lever outwards.

OPERATING INSTRUCTIONS FOR TENSION ADJUSTMENT:

(Located in the front and center
beneath the seat)

Turning the knob counter-
clockwise decreases the tension
for lighter users. Turning it
clockwise increases the
tension for heavier users.

Customer Service Hotline: 1-800-593-1888

Note: Please make sure all screws are completely tightened. It is important to check and tighten all screws every two to three months, or as needed as they may loosen due to normal wear and tear.